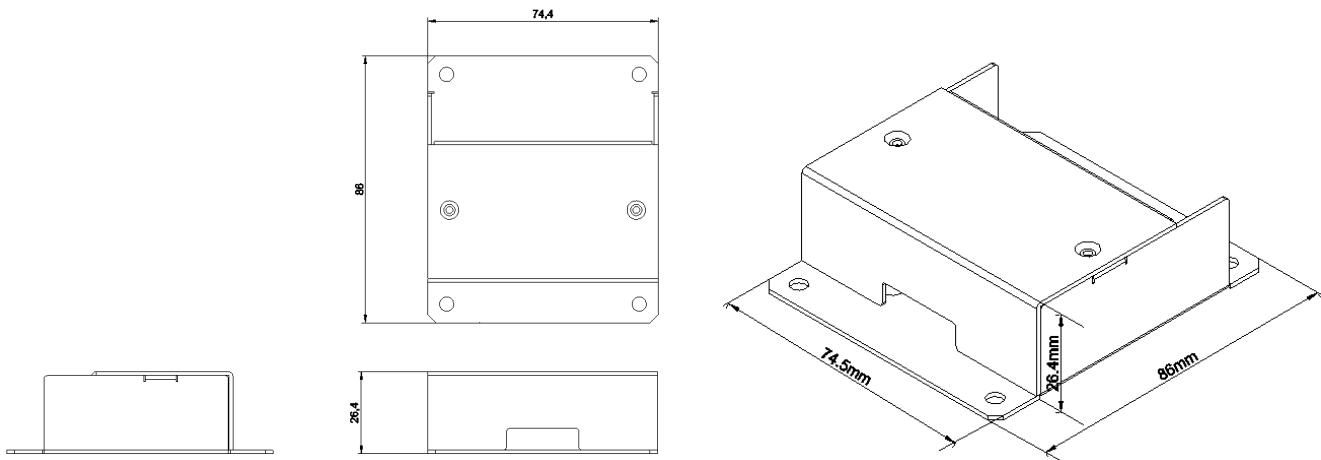


Isolated DMX512 Splitter(LH-REP-400)



Features

- *.Isolated type
- *.Thermal-Shutdown Protection
- *.DMX RGB Address 1 display LED

The Technical Specifications of Isolated DMX512 Splitter(LH-REP-400)

Descriptions	Specifications	Remarks
1. Power Consumption	1 W	
2. Operating Voltage	12 ~ 24 VDC	
3. Isolation Voltage	2.5KV	
4. Input signal	TIA/EIA-485-A & DMX512	
5. Output signal	TIA/EIA-485-A & DMX512 4 Channel	
6. Input impedance	120 ohm	
7. Data rate	5Mbps	
8. Operating Temperature	-20°C ~ +60°C	
9. Outline Size	86mm x74.5mm (H)26.5mm	
10. Weight	151g	